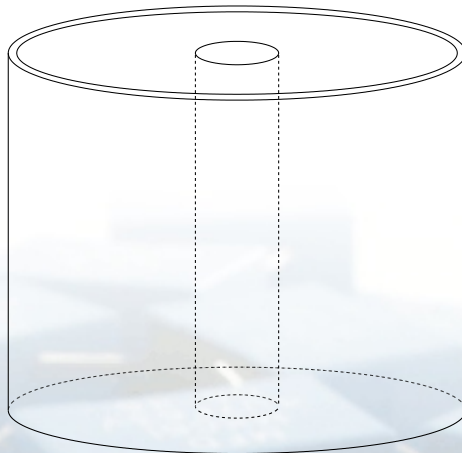


MKT 90 / 91 METALLISED POLYESTER FILM CAPACITORS MACHINED ENDFACE FLATPACK FORMAT



SEE TABLE OVERLEAF
FOR CAPACITANCE VALUES AND DIMENSIONS IN MM

GENERAL DETAILS

A RANGE OF POLYESTER CAPACITORS DESIGNED FOR USE IN THYRISTOR MOTOR SPEED CONTROLLERS, WHERE VOLUMETRIC EFFICIENCY COMBINED WITH HIGH PEAK AND R.M.S. CURRENT HANDLING CAPABILITY ARE REQUIRED. CONNECTION IS BY CLAMPING CONDUCTING PLATES ON TO THE END FACES. THESE PLATES MAY BE HEATSINKS FOR MAXIMUM HEAT DISSIPATION. ALTERNATIVE CONNECTION OPTIONS ARE SHOWN OVERLEAF.

TECHNICAL DETAILS

DIELECTRIC
ELECTRODES
ENCAPSULATION

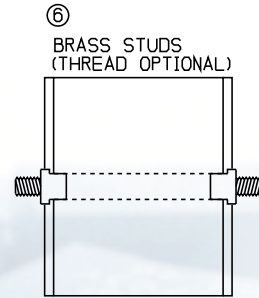
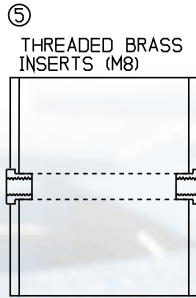
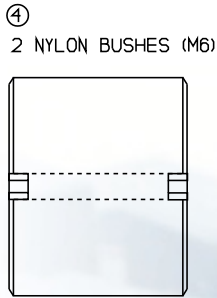
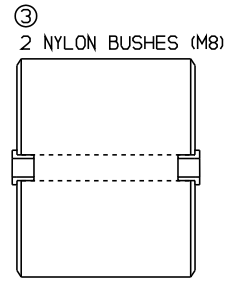
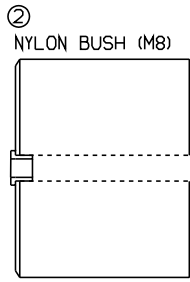
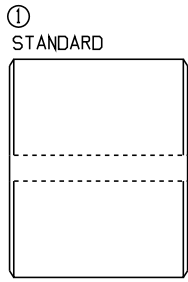
POLYESTER.
VACUUM DEPOSITED ALUMINIUM.
POLYESTER TAPE WRAP, MACHINED TIN/ZINC END FACES. VERSIONS 5 & 6 WITH EPOXY RESIN END FILL.
VERSIONS 1 - 4: TIN / ZINC MACHINED TO GIVE EVEN, PARALLEL SURFACES.
VERSIONS 5 & 6: TERMINATIONS AS SHOWN OVERLEAF.

END SURFACE & TERMINATIONS

ENVIRONMENTAL CLASSIFICATION
DC WORKING VOLTAGES
CAPACITANCE RANGE
TAN DELTA
INSULATION RESISTANCE
TOLERANCES

40 / 085 / 21.
100 VDC, 250 VDC, 400 VDC.
50 μ F - 400 μ F.
< 0.008 @ 1 kHz, 20°C.
>10,000 M Ω . μ F @ 20°C.
 \pm 20%, \pm 10%, \pm 5%.

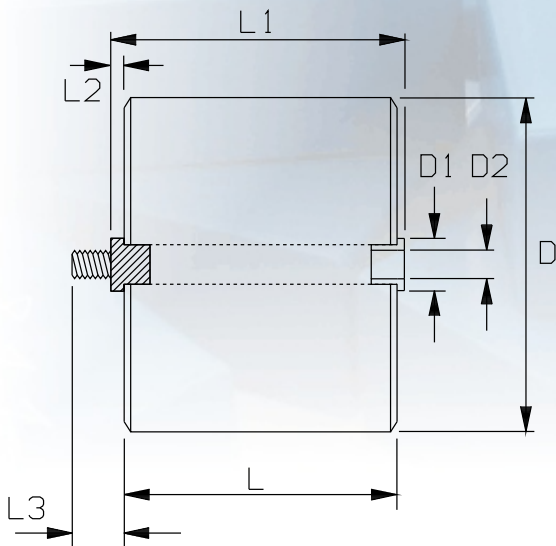
CONNECTION OPTIONS



MAXIMUM CAPACITOR SIZES (mm)

RANGE	VOLTAGE RATING	CAPACITANCE (µF)					
		50	75	100	200	300	400
MKT 90	100	29	33	38	51	61	70
	250	51	61	70	98	120	
	400	66	80	92	130		

RANGE	VOLTAGE RATING	CAPACITANCE (µF)					
		50	75	100	200	300	400
MKT 91	100	26	30	33	44	54	60
	250	44	53	60	84	102	
	400	57	69	79	111		



ADDITIONAL MAXIMUM DIMENSIONS (mm)

DIMENSION	CONNECTION OPTION					
	1	2	3	4	5	6
L	SEE TABLES ABOVE					
L1	N/A	+2.3	+4.6	N/A	+12	+12
L2	N/A	N/A	N/A	N/A	2.0	2.0
L3	N/A	N/A	N/A	N/A	N/A	11
D	SEE TABLES ABOVE					
D1	N/A	15.5	15.5	N/A	19	N/A
D2	10	8.3	8.3	M6	M8	N/A

VERSIONS 5 & 6: OTHER TERMINATIONS ARE AVAILABLE PLEASE CONTACT SALES DEPARTMENT